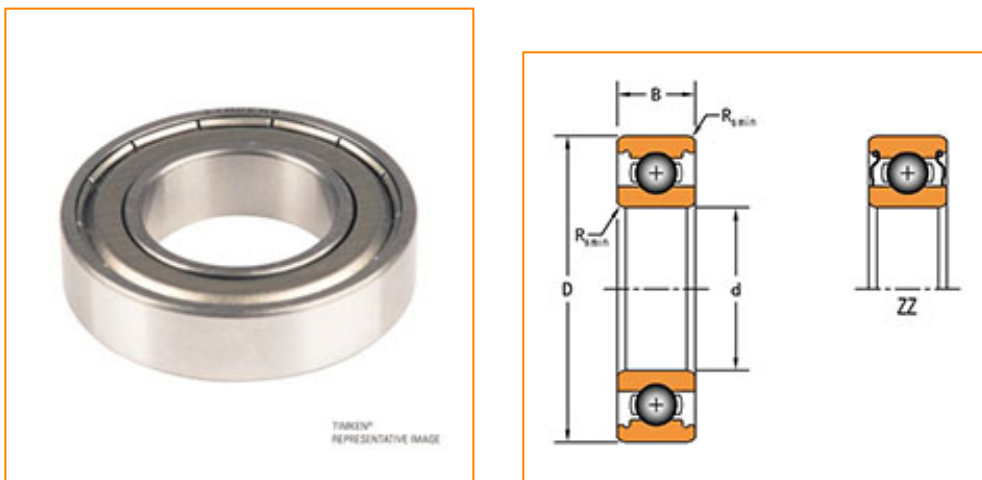


Home > Products & Services > Bearings > Product List > All Product Types > ENGINEERED BEARINGS > Ball Bearings > Deep Groove Ball Bearings > Thin Section Ball Bearings (61700, 61800, 61900) > Part Number 61812-ZZ

## Part Number 61812-ZZ, Thin Section Ball Bearings (61700, 61800, 61900)

Timken's deep groove ball bearings deliver reliable performance in a wide range of applications and conditions. With super-finished raceways and controlled geometries, our premium design helps ensure consistent quality.



[Specifications](#) | [Dimensions](#) | [Basic Load Ratings](#) | [Factors](#)

### Specifications

Clearance	C0 (Normal)
Bore Size d	60.000 mm
Features	Shields
Weight	0.094 Kg

### Dimensions

Outside Diameter D	78.000 mm
Outside Ring Width B	10.000 mm
Shoulder Radius $R_s$ min	0.300 mm



## Basic Load Ratings

<b>Cr - Dynamic Load Rating</b>	11.5 kN
---------------------------------	---------

<b>C0r - Static Load Rating</b>	10.6 kN
---------------------------------	---------

## Factors

<b>Grease Limiting Speed</b>	7900 rpm
------------------------------	----------

<b>Oil Limiting Speed</b>	9400 rpm
---------------------------	----------

